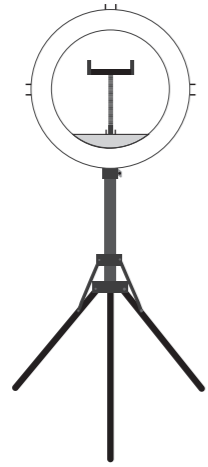


# hama

00  
004659

## LED RING LIGHT

### SpotLight Steady 120 II



Service & Support

[www.hama.com](http://www.hama.com)

Hama GmbH & Co KG  
86652 Monheim / Germany

+49 9091 502-0  
D GB



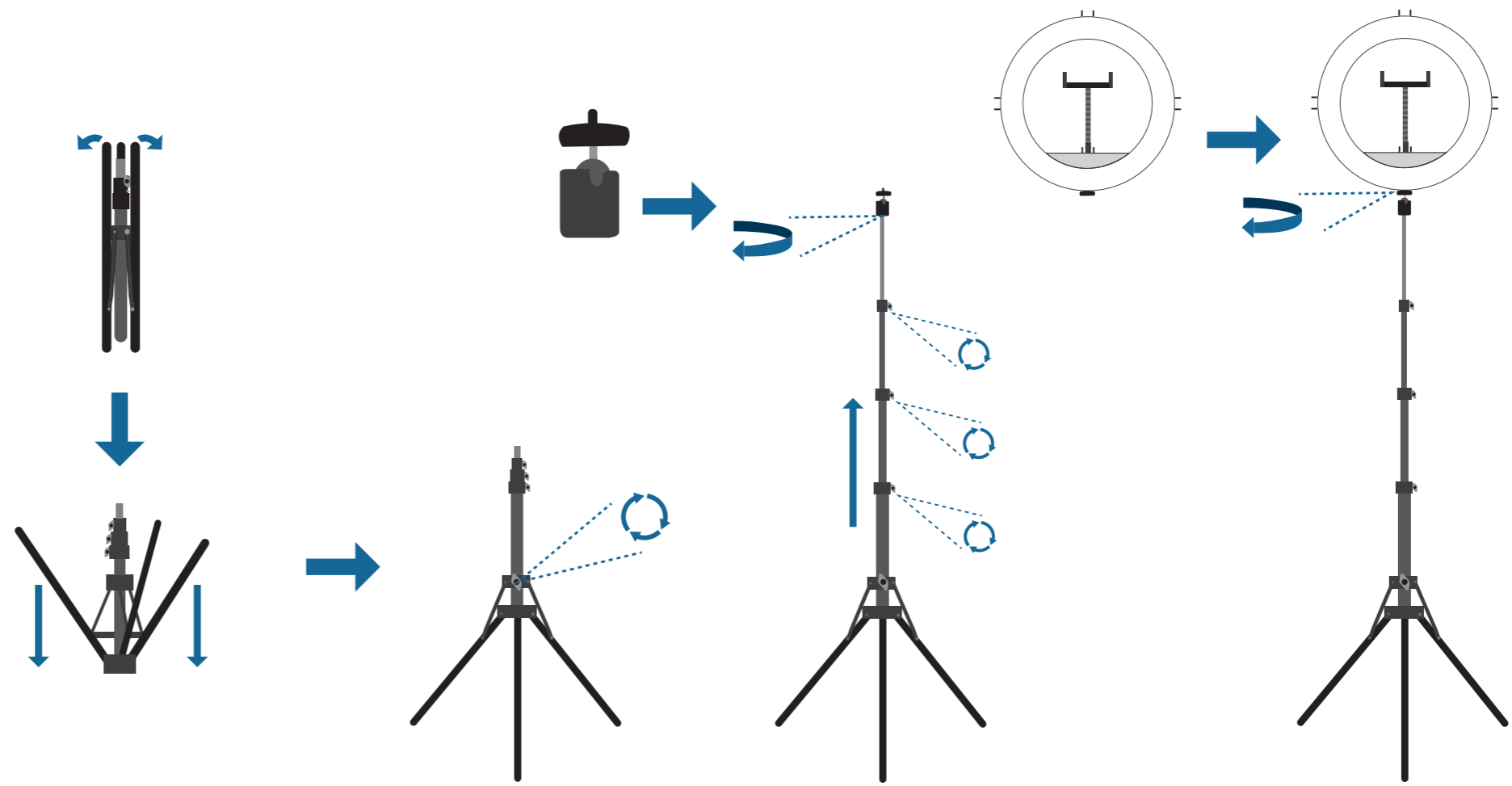
Raccolta Carta



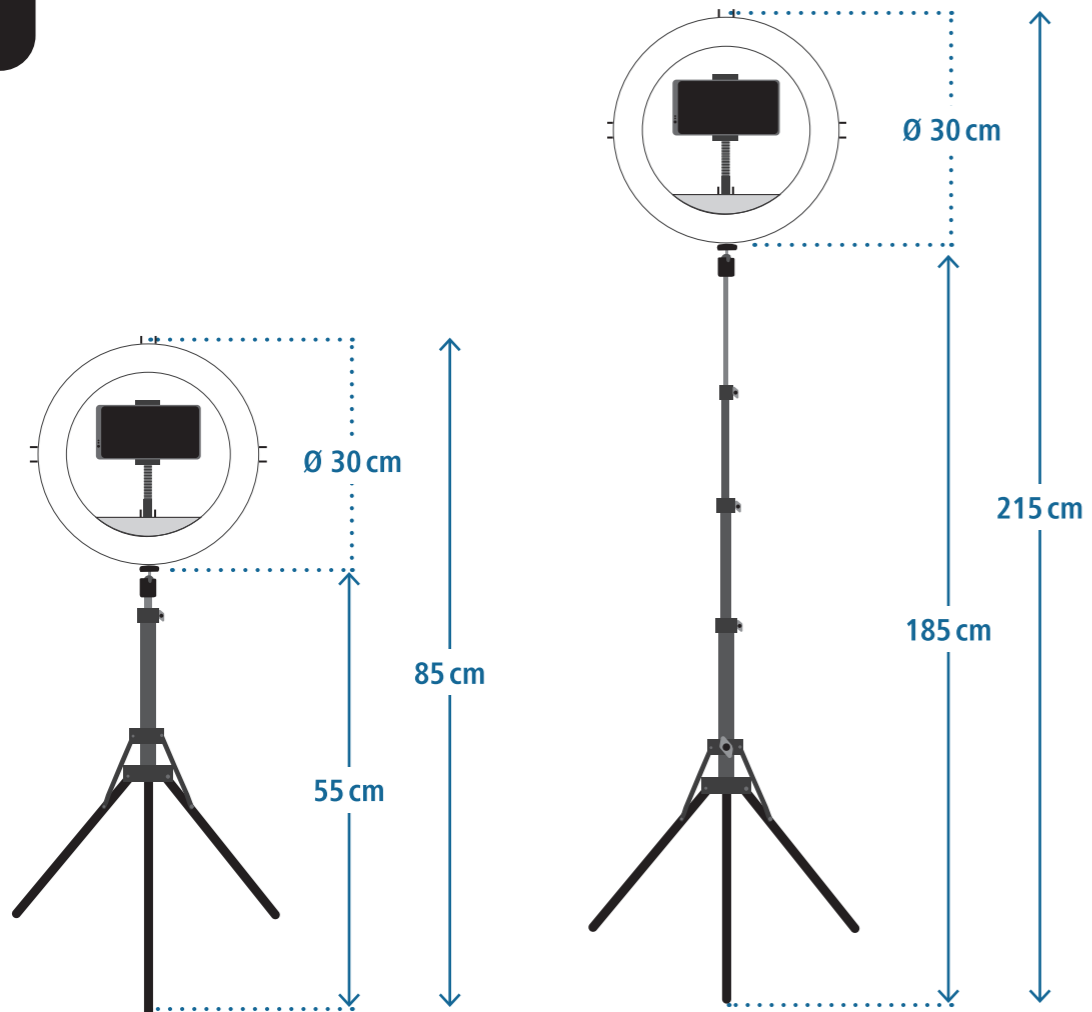
[www.hama.com/nep](http://www.hama.com/nep)  
00004659/08.22

All listed brands are trademarks of the corresponding companies. Errors and omissions excepted, and subject to technical changes. Our general terms of delivery and payment are applied.

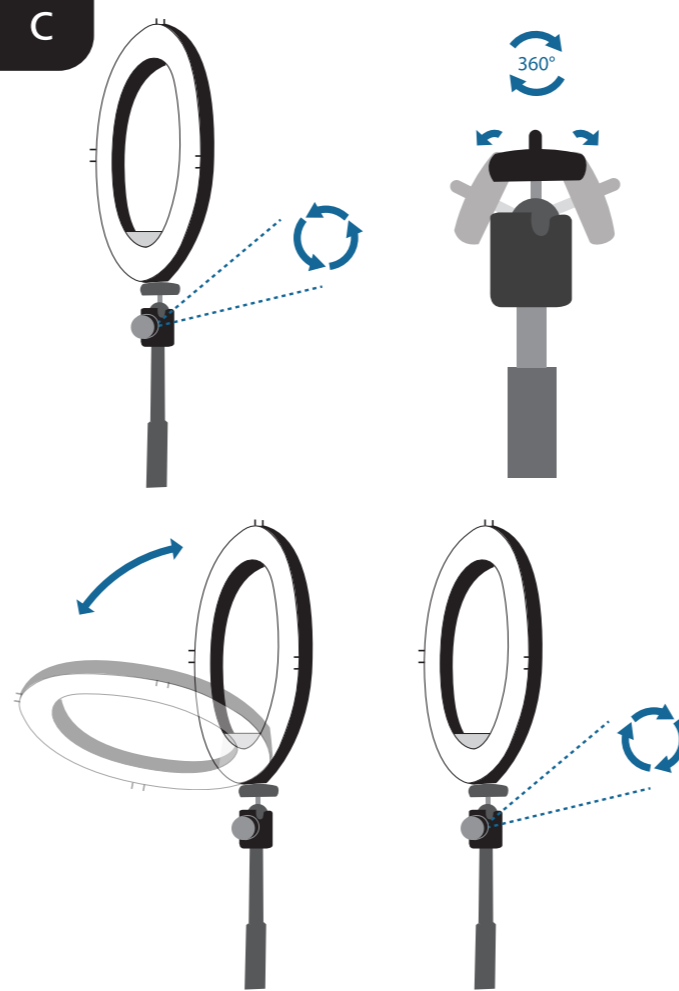
A



B



C



D

